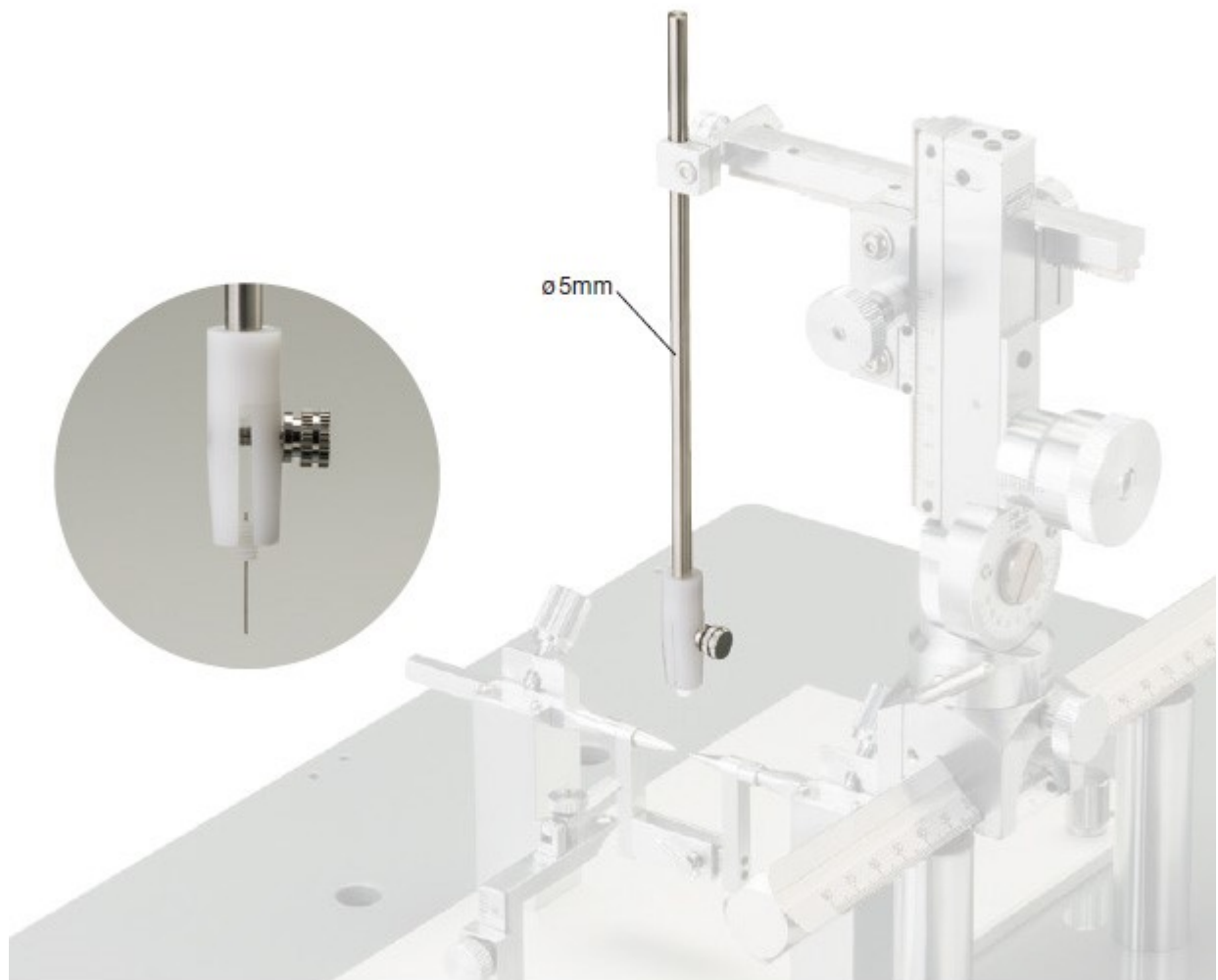


# SHC-1

## Cannula Holder

### **Cannula placement can be done quickly and accurately.**

This holder allows accurate, safe, and quick placement of a cannula of approx.  $\varnothing 3.5\text{mm}$  in lab animals. Using a stereotaxic instrument and the (SM-15R/L) micromanipulator, a cannula can be placed at a specific site safely and accurately. The cannula can be fixed firmly in place just by tightening the screw and easily removed when in place just by loosening the screw. In addition, the tip is plastic so it will not corrode.



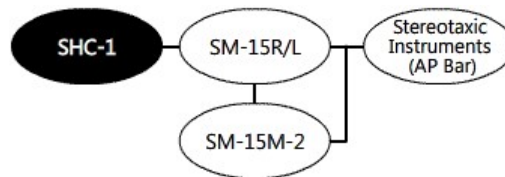
- \* Cannula are not included in the SHC-1.
- \* Specific cannula holder is customizable for your application.

## Specification

Dimensions/Weight

ø5 × L150mm, 29g

## System Diagram



- refers to the model itself with standard attachments
- refers to attachable main accessories
- refers to types of mounting adaptors

Specifications are subject to change without notice.

Copyright © NARISHIGE Group. All Rights Reserved. 1999-2019