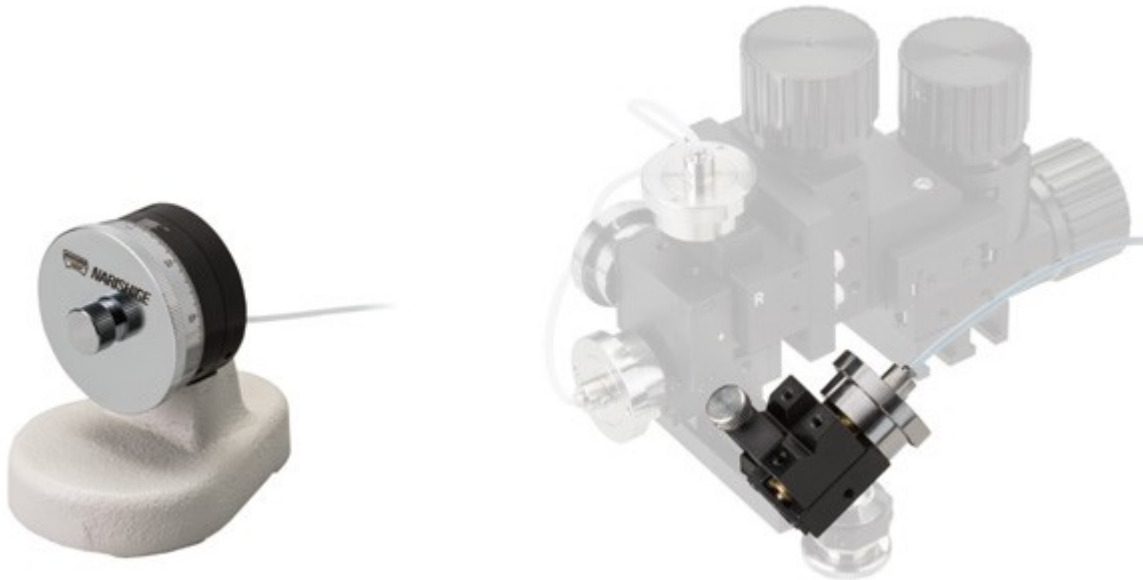


MHW-4

One-axis Water Hydraulic Micromanipulator

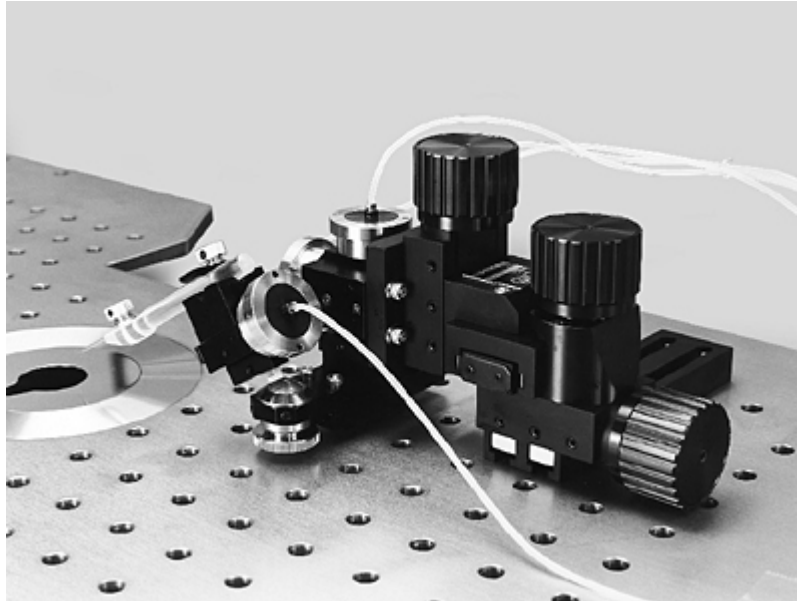
One-axis water hydraulic micromanipulator with easy patch clamping.

The MHW-4 micromanipulator is a water hydraulic micromanipulator which offers excellent stability with minimal drift. It is made for use with the [MHW-3](#) in patch clamping applications and attachable to the ball joint [B-9](#).



* Separately sold [AP-13-3/AP-14A](#) Patch Clamp Headstage Holders mountable.

Setting Example



MHW-3 + MHW-4 setting example

MHW-4

One-axis Water Hydraulic Micromanipulator

Specification

Movement range	Fine	2mm Full rotation of knob 50 μ m Minimum graduation 0.2 μ m
	Dimensions/Weight	
	Control unit	W70 × D115 × H100mm, 1.15kg
	Drive unit	W42 × D28 × H41mm, 60g

* For wide movement range type by 1:1 cartridge system (MHW-4-1), please contact your local Narishige representative.

Specifications are subject to change without notice.

Copyright © NARISHIGE Group. All Rights Reserved. 1999-2019