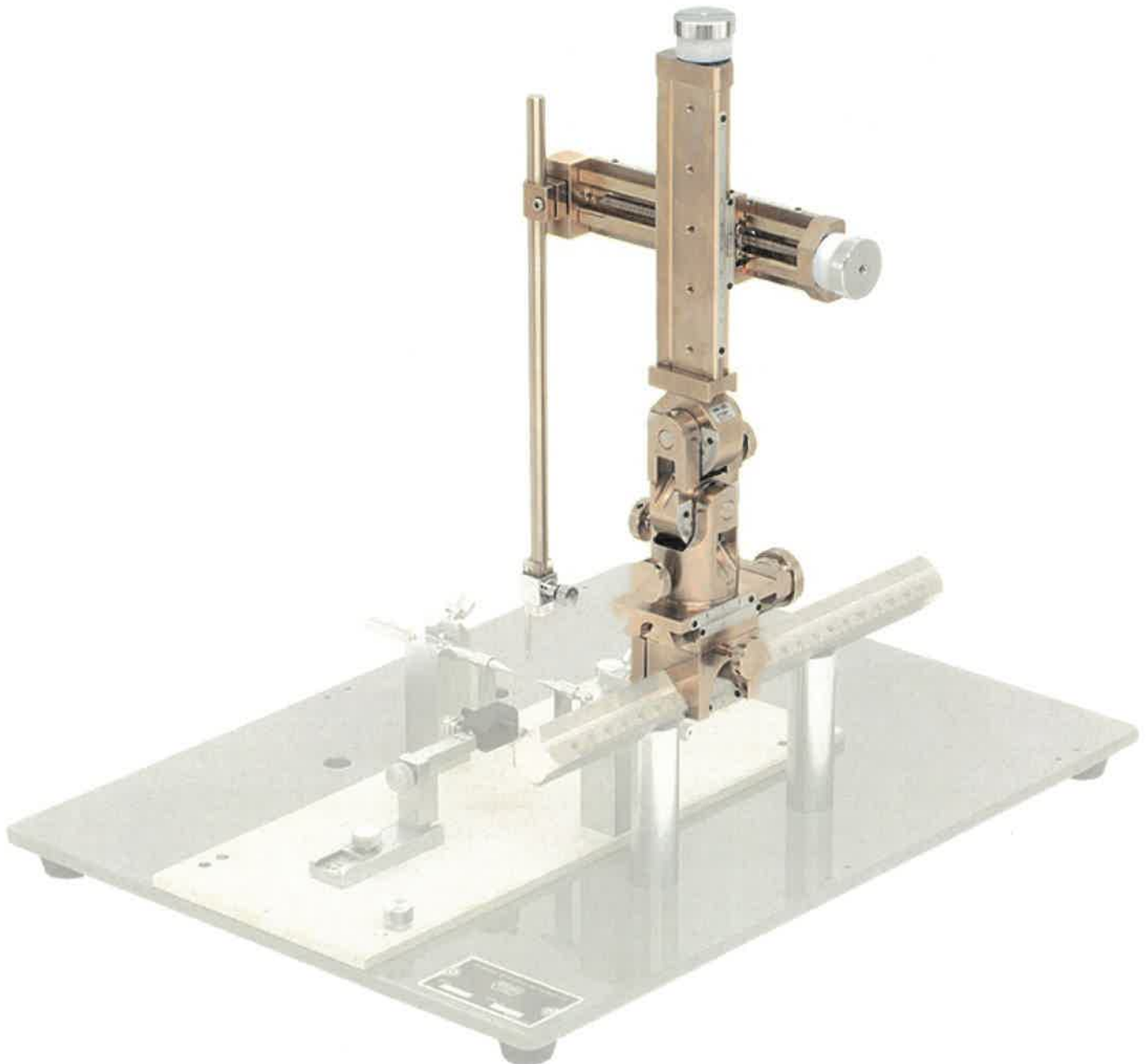


# NARISHIGE

## SMM-200C Stereotaxic Manipulator

### New line-up of SMM series: coarse manipulation in Z axis.

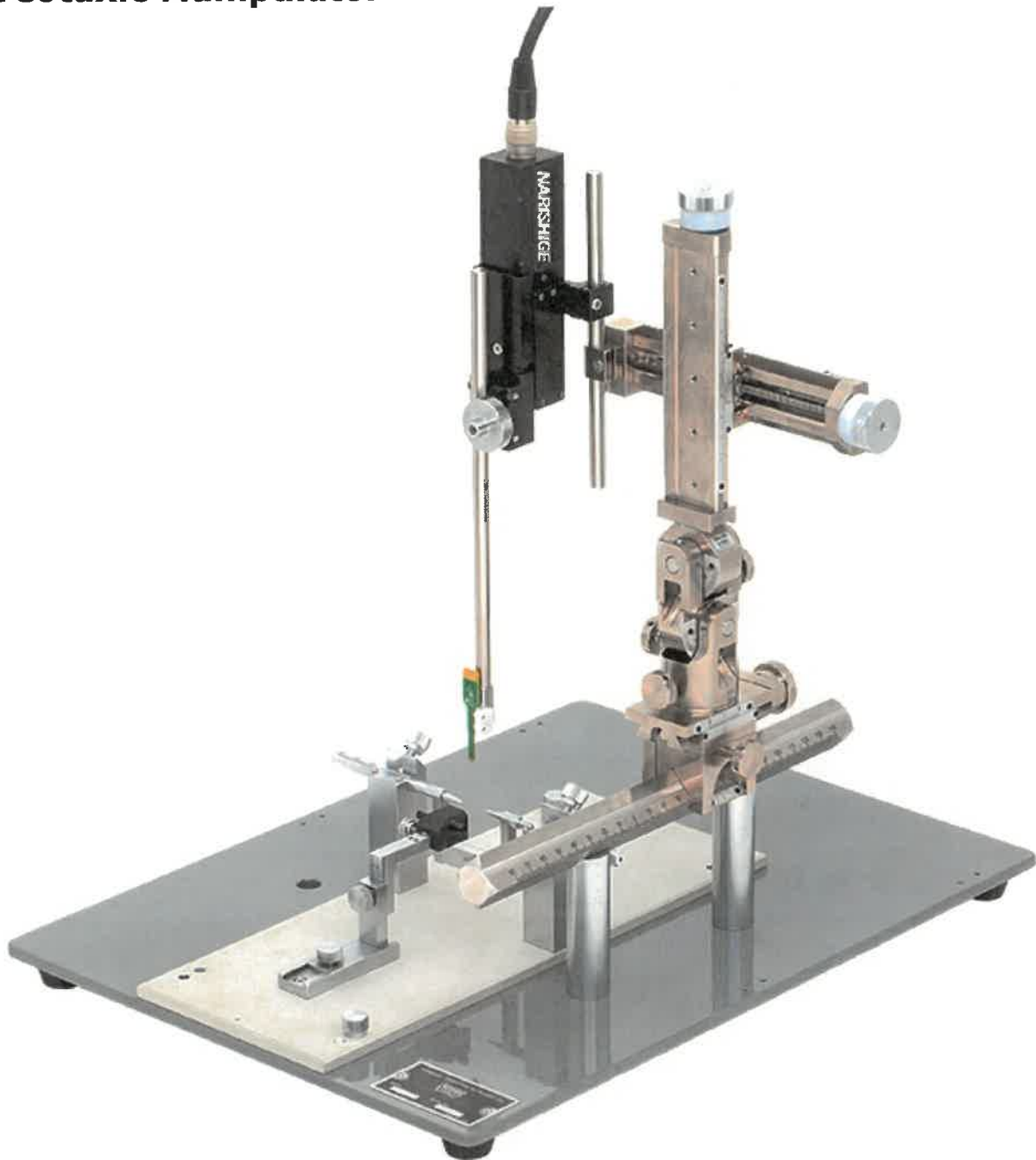
Coarse manipulator for stereotaxic instruments focusing on driving outside the animal's brain. The driving by Z-axis control knob: approximately 4mm per rotation makes faster adjustments for leveling bregma and lambda, and faster retracting/returning from the dura mater, which will improve efficiency of experiment. For operations inside the brain, One-axis Motorized Stereotaxic Micromanipulator MDS-1 and hydraulic manipulator can be added optionally\*. The X-axis is equipped with coarse control knob, which is the same as the Z-axis. The Y-axis (anterior/ posterior direction) is equipped with fine control knob. The upper body of SMM-200C can be tilted with dual angles: AP and ML directions simultaneously.



\* The minimum graduation of the X and Z-axis is 100 $\mu$ m. This manipulator is recommended to be used in combination with fine micromanipulator (MDS-1, etc.).

# NARISHIGE

## SMM-200C Stereotaxic Manipulator



\* Stereotaxic instrument, GM-4, MDS-1, and SMM-HA, the silicon probe in the photo above are not included.

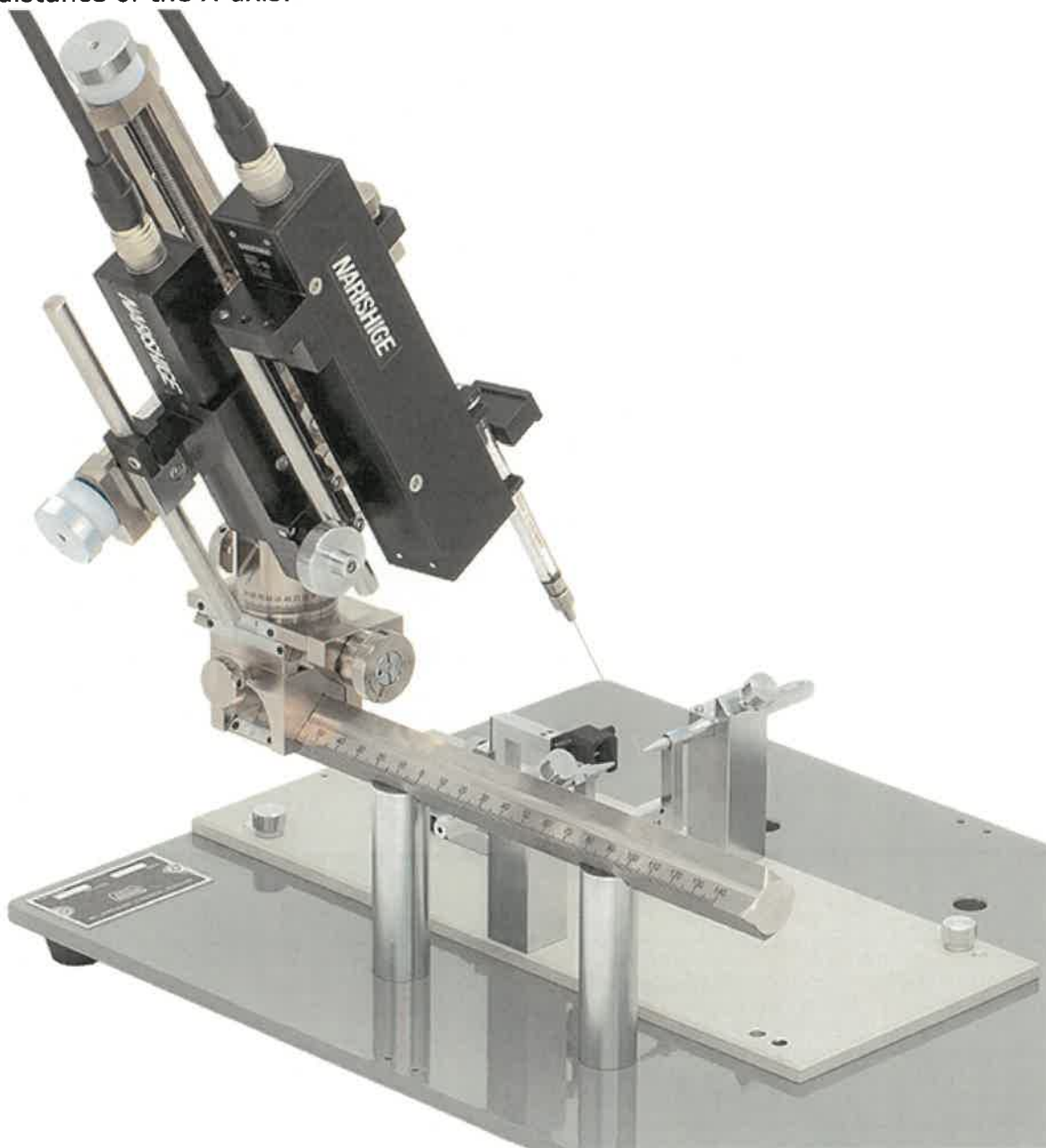
# NARISHIGE

## SMM-200C Stereotaxic Manipulator

### Set-up example with SMM-A

**SMM-A is recommended for experiments: tilting in the ML direction.**

When the manipulator SMM-100C/200C is tilted in the ML direction, the end of the holder (electrode tip) may far off from animal's head. The attachment SMM-A is designed to attach a holder on the side of manipulator, so it enables the holder position without operating the X-axis. To this end, the holder (electrode tip) can be set to the animal's head while maintaining driving distance of the X-axis.



\* The set-up example above: motorized MDS-1 and IMS-30 on SMM-200C installed with SMM-A.

# NARISHIGE

## SMM-200C Stereotaxic Manipulator

### SMM Series comparison table

SMM Series	SMM-100	SMM-200	SMM-100C	SMM-200C
Angles	One direction (AP or ML) Switchable	Simultaneous Two directions (AP & ML)	One direction (AP or ML) Switchable	Simultaneous Two directions (AP & ML)
X-axis, Z-axis	Fine	Fine	Coarse	Coarse
Y axis	Fine	Fine	Fine	Fine

\* If you want to change the X or Z axis of SMM-100C or SMM-200C to fine movement, please contact us.

### Holders for SMM series

Model	SMM-A	SMM-HA	SMM-HB	SMM-HC	SMM-HD	SMM-HE	SMM-HG*
Description	Attachment	Holder for Neural Probes	Holder for Neural Probes	Cannula Holder	Multiuse Holder	Multiuse Holder	GRIN Lens Holder

\* Brochure is available. Please contact us for more information.

### Specification

<b>Accessories included</b>		Hex Wrenches (2mm and 2.5mm) Dedicated electrode holder (with attachment and screw) Screw for grounding Washers for grounding (Bellville washer and flat washer)
<b>Movement range</b>	<b>X-axis, Z-axis</b>	80mm Full rotation of knob 4.2mm Minimum graduation 100µm (Vernier Scale)
	<b>Y axis</b>	20mm Full rotation of knob 1mm Minimum graduation 10µm
<b>Dimensions/Weight</b>		W85 × D162 × H286mm, 2.0kg

Specifications are subject to change without notice.

Copyright © NARISHIGE Group. All Rights Reserved. 1999-2023