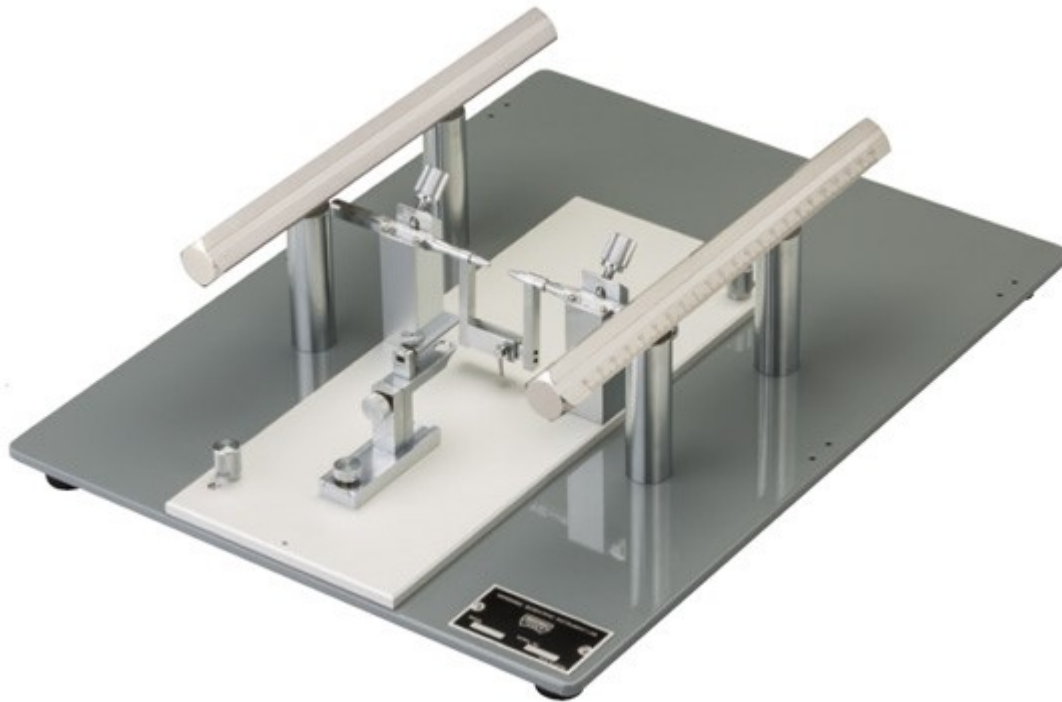


SR-6R-HT

Stereotaxic Instruments (for Rats)

Fixing the head of a rat firmly with ease and accuracy.

This new stereotaxic instrument in our successful SR series is designed specifically for rats, and features various special functions to fix the head more firmly. Smooth manipulation of clamping actions with one hand is made possible by the auxiliary ear bar, and the operator can check that the external auditory canal is fixed correctly by feeling with the fingertips. The mouth and nose fixing clamp is designed thin and small, to match the dimensions of a small rat's mouth, allowing easy confirmation of teeth fixation. In addition, the instrument allows easy back/forward and up/down position adjustment. An AP frame bar is provided, to which many different types of accessories can be attached along with the attached micromanipulator. The SR-5R-HT has one AP frame bar, while the SR-6R-HT has two.



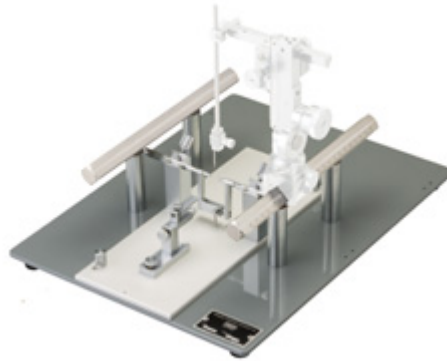
* When using these instruments with mice, use the separate MA-6N as well.

* When using these instruments with common marmosets, use the separate CA-6 as well.

SR-6R-HT

Stereotaxic Instruments (for Rats)

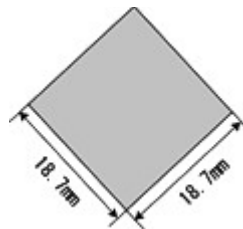
Setting Example



* Stereotaxic micromanipulators such as [SM-15R](#) is sold separately.

AP frame bar size

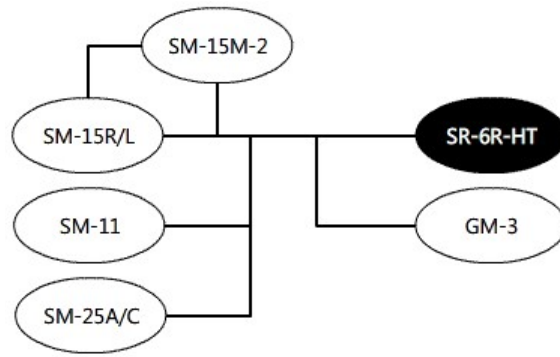
Narishige produces world standard 18.7mm square shape AP frame bar. Please be advised when mounting on your existent frames since our stereotaxic manipulators are tailored for 18.7mm AP frame bar.



Specification

Accessories included	EB-3A Ear Bars for Rats (in a pair) EB-4N Auxiliary Ear Bar for Rats
Dimensions (Base plate)	W400 × D300 × H110mm
Total weight	9.2kg

System Diagram



● refers to the model itself with standard attachments

○ refers to attachable main accessories

○ refers to types of mounting adaptors

Specifications are subject to change without notice.

Copyright © NARISHIGE Group. All Rights Reserved. 1999-2019