



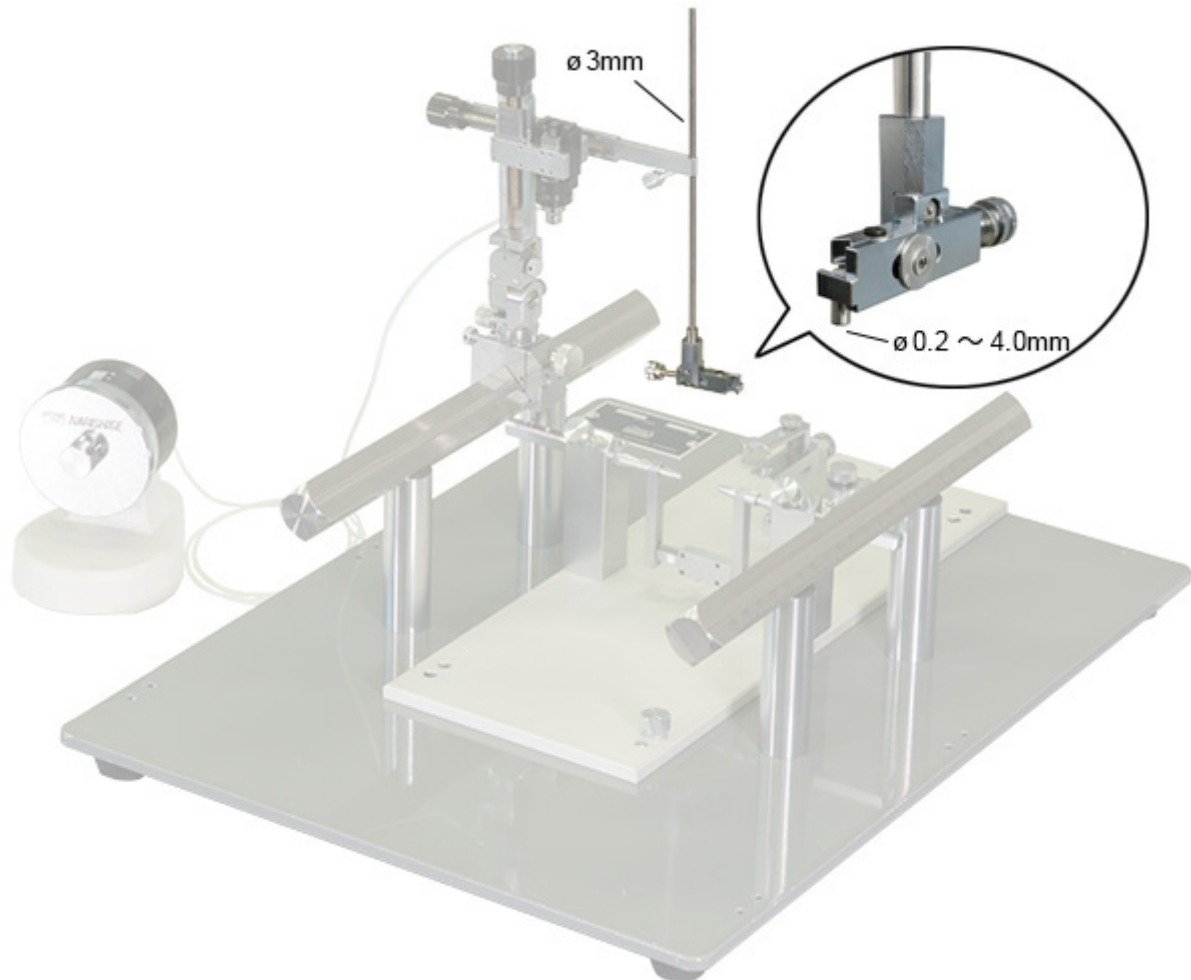
NEW

SM-25HE

Multiuse Holder

Holder for SM-25 series; the perfect tool for Optogenetic photostimulation

This holder is intended to hold the thickness from 0.2mm to 4.0mm O.D. It holds a fiber cannule/ferrule at 1.25~2.5mm O.D., for instance. To make the implanting preparation easier, a protruded tip of cannule can be seen and set from the one side so that the tip is not be interfered with the holder itself.



* SMM-HE: the multiuse holder for SMM series, and SM-15HE: the multiuse holder for SM-15 are also available.

Specification

Dimensions/Weight

W11 × D36 × H167mm, 30g

Specifications are subject to change without notice.

Copyright © NARISHIGE Group. All Rights Reserved. 1999-2019