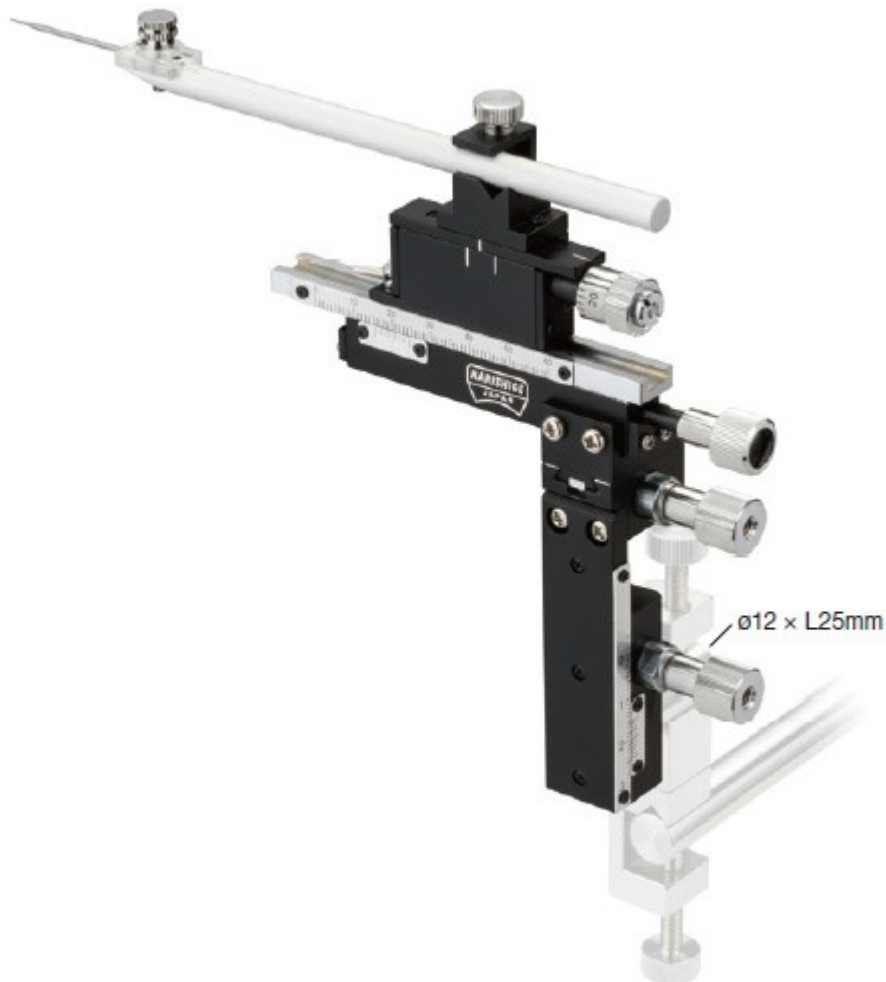


# M-3333

## Micromanipulator

### Ultra-thin manipulator body enables multiple recording.

To enable recording from multiple microelectrodes, the body of this model is made as thin as possible, with all the handles positioned in a single direction. Use of the X-4 Rotating X-Blocks (sold separately), makes it possible to place many microelectrodes close together without taking up too much space. It is of course possible to mount a one-axis fine movement unit on the X-axis for a more careful approach to the specimen.



- \* Use X-4 X-Block and GJ-8 Magnetic Stand (both sold separately) or equivalent equipment to attach this model.
- \* Changing the H-13 included with the manipulator to separately sold oil hydraulic micromanipulator such as MO-10 enables remote controlled X-axis fine movement.

# M-3333

Micromanipulator

## Setting Example

---



M-3333 Setting Example

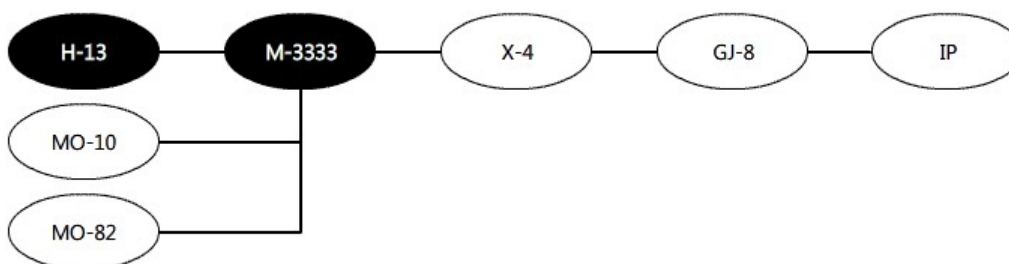
# M-3333




## Micromanipulator

### Specification

<b>Accessories included</b>		H-13 Electrode Holder Hex Wrench
<b>Movement range</b>	<b>Coarse</b>	X40mm, Y12mm, Z30mm
	<b>Fine</b>	X7mm Full rotation of knob: 250μm Minimum graduation: 10μm
<b>Dimensions/Weight</b>		W126 × D43 × H145mm, 340g

### System Diagram



-  refers to the model itself with standard attachments
-  refers to attachable main accessories
-  refers to types of mounting adaptors

Specifications are subject to change without notice.

Copyright © NARISHIGE Group. All Rights Reserved. 1999-2019